

K13

TRAILER MOUNT

Developed in direct response to customer feedback, the K13 sets new standards of performance, quality and safety.

13.2m working height, 5.9m outreach, 130° flick boom complete with 90° basket rotation, and only 1,390kg towing weight!

Hydraulic outriggers with pressure sensitive interlocks and LED display, new more user friendly controls and emergency lowering from basket, make the K13 both simple and safe to use.

This combination of exceptional working envelope, low towing weight, unrivalled user friendly controls and safety features make the K13 the most versatile trailer mount in its class.

- 13.2m Working Height
- 5.9m Working Outreach
- 700° Rotation
- 130° Flick Boom complete with Basket Rotation
- Emergency Lowering from Basket
- IP67 Rated Battery Charger

“...developed in direct response to customer feedback...”



K13

AERIAL

Aerial K13

The new K13 builds on the well proven K12 which has been the market leader since its launch in 1993.

Manufactured to the highest quality and safety standards, the K13 gives 13.2 metres working height and 5.9 metres outreach – from only 1,390kg towing weight! The K13 can be towed with a medium sized car or van.

The K13 achieves this through innovative boom design, combining high strength and rigidity with low weight. The K13's third Flick Boom, now with 130° working arc, enables reach into those awkward places, often inaccessible with dual boom machines, while the 90° basket rotation gives the operator(s) the final basket positioning which is so important when working on facades or in tight roof spaces.

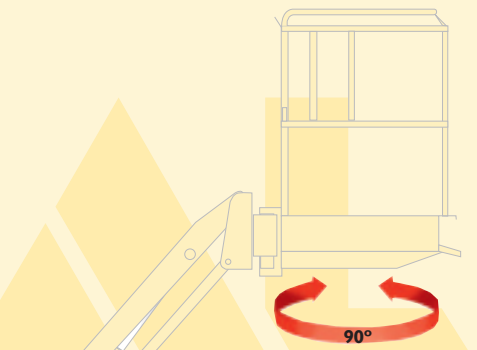
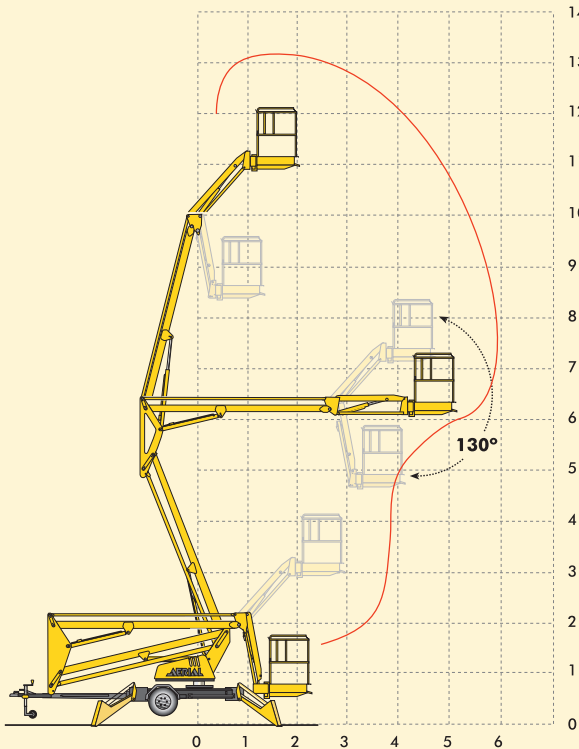
User friendly proportional hydraulic controls, pressure sensitive outrigger interlocks with easily read LED display, full manual emergency

lowering from basket and fail-safe hydraulics ensure maximum operator safety and confidence. The K13, as with all Aerial products, meets or exceeds the requirements of EC machinery and is CE marked.

The K13 is engineered and built to last. Robust full steel construction, fully bushed stainless steel pivots, quality components and tough durable powder coat finish, provide long term reliability and protection against wear and tear.

Aerial have third party accreditation to ISO 9001 and are an IPAF and CITB approved training company. In the UK, there are now over 80 mobile service engineers working from four hub depots providing after sales technical and service support unmatched in the industry.

The K13, a high quality platform, backed by unrivalled sales support, from a long established British manufacturer – a combination that's hard to beat.



Operating Dimensions	
Max. Working Height	13.20m
Max. Platform Height	11.20m
Max. Outreach	5.90m
Capacity (SWL)	215kg
Outrigger Footprint	3.00m x 3.60m
Rotation	700°
Basket Rotation	90°

Basket Dimensions	
Depth	0.80m
Width	1.20m
Guard Rail Height	1.10m
Toeboard Height	0.15m

Closed Dimensions	
Height	1.95m
Towing Length	6.30m
Width	1.48m
Ground Clearance	0.20m
Weight (Battery Model)	1,390kg

Control Systems	
Full proportional hydraulic controls at basket and ground.	
Standard power options: 24v battery (4 x 6v 195ah batteries) 110v / 230v mains.	
Bi-fuel (battery / i/c engine).	
Charger (battery model) IP67 rated automatic voltage sensing c/w 'charge and run' facility and unique battery maintenance monitor.	

Trailer/Superstructure	
All steel welded, folded section fabrication, bushed stainless steel pivots. Trailer complete with automatic reversing, overrun braking and integral lighting board.	

Safety	
Full fail-safe hydraulics, load sensing outrigger interlocks c/w LED display. Manual emergency lowering from ground and basket. Designed to meet or exceed all British and European safety standards.	

This product guide is intended for general information only and as such is not legally binding, nor does it form part of any contract. All dimensions are approximate. The manufacturer reserves the right to alter or improve specifications without notice.



Distributed By:



Aerial Access, Tanfield Group Plc, Tanfield Lea Industrial Estate North, Stanley, Co. Durham, DH9 9NX.

Tel: +44 (0) 1207 521 111 Fax: +44 (0) 1207 523 318

www.aerialaccess.co.uk



Aerial Access is part of The Tanfield Group Plc